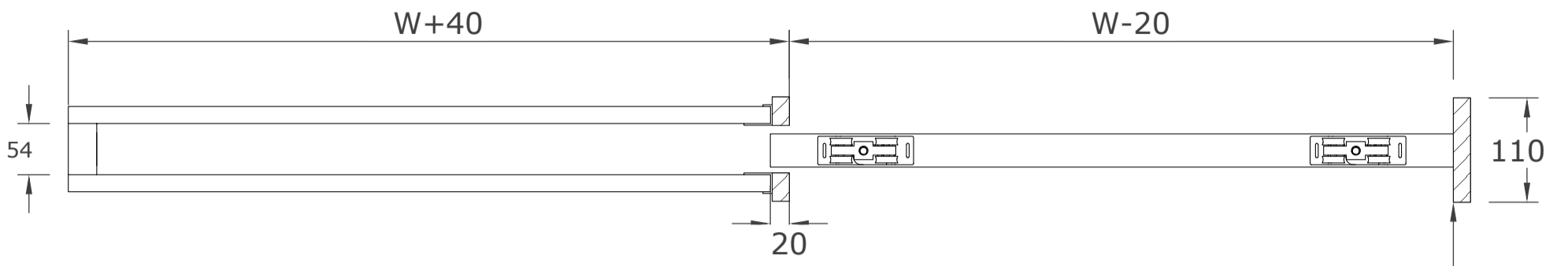




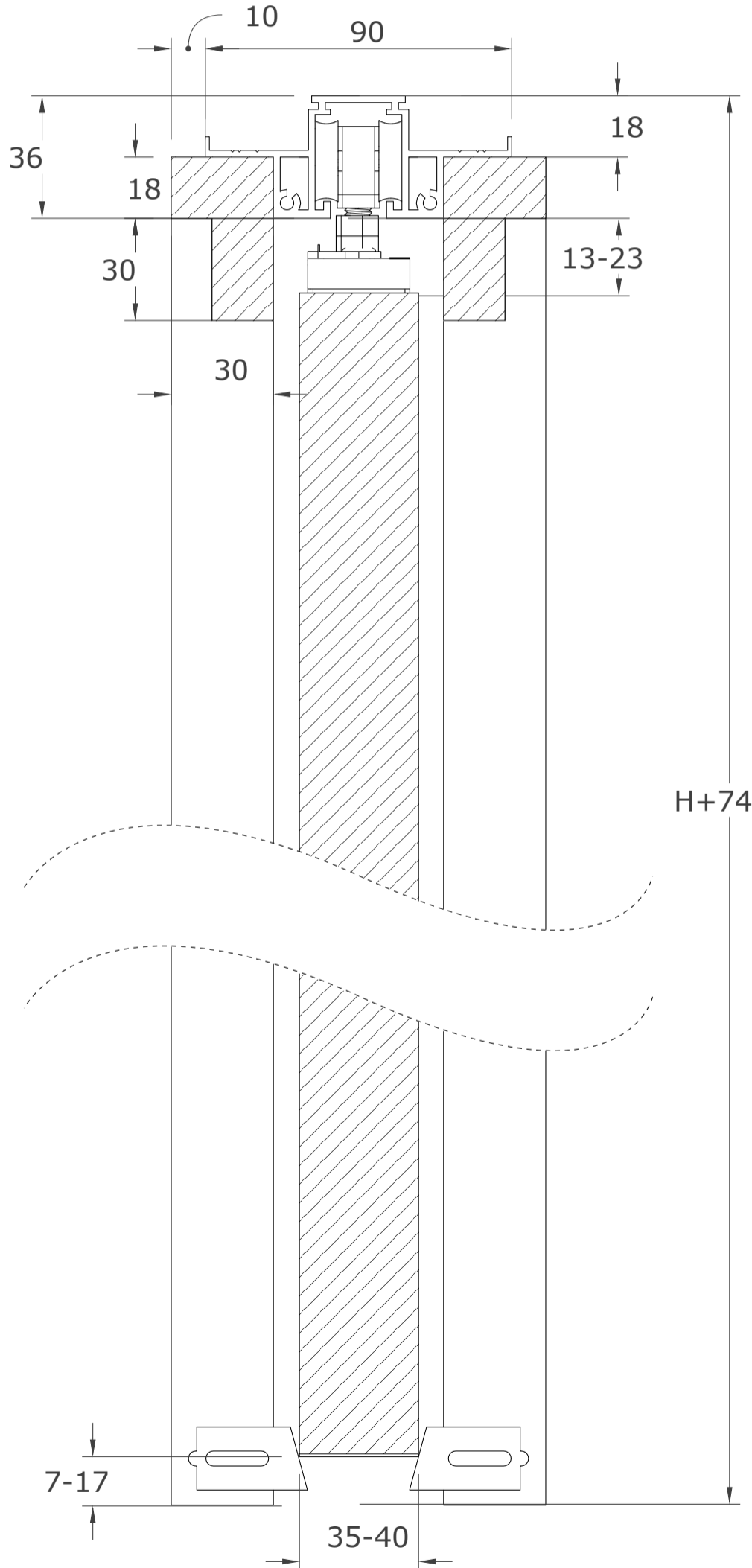
D4 DOORS COMPLETE & COMPLETE PLUS RANGE  
CAVITY UNIT  
DESIGN DETAILS

*22 APRIL, 2024*

# COMPLETE RANGE

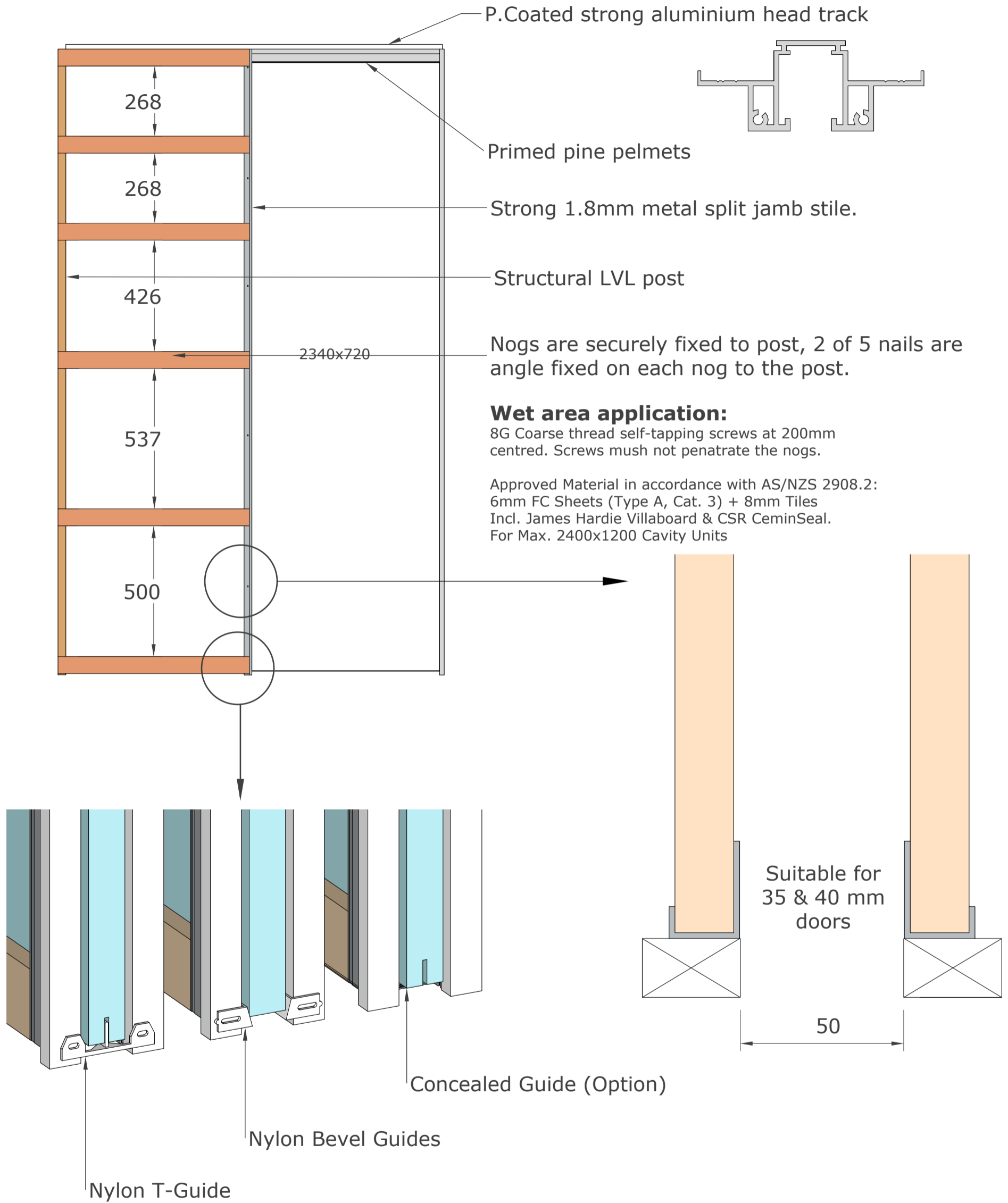


Closing Jamb  
(VIC Only)



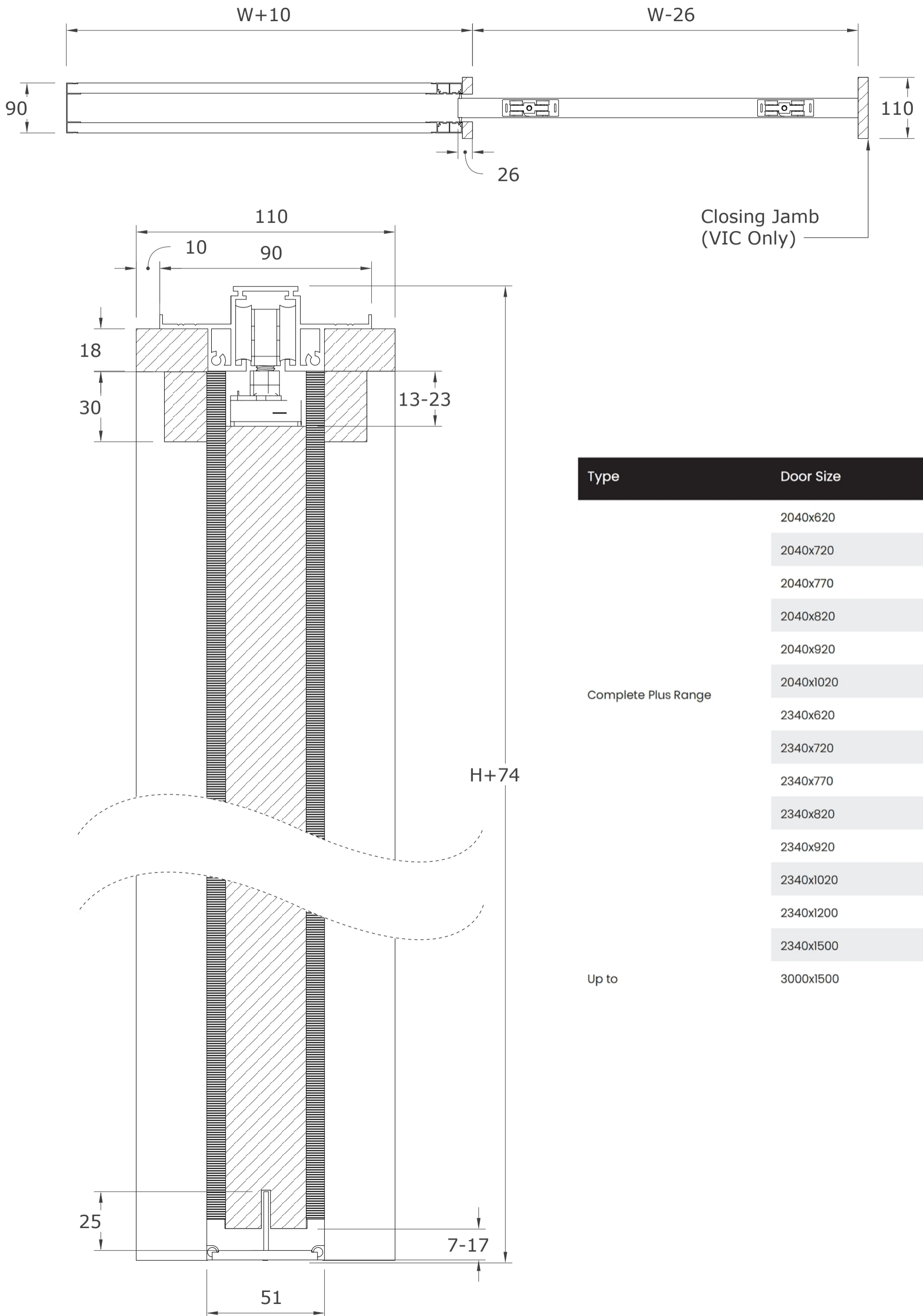
Type	Door Size
Complete Range	2040x620
	2040x720
	2040x770
	2040x820
	2040x920
	2340x620
	2340x720
	2340x770
	2340x820
	2340x920
	2340x1020
	2340x1200
	Up to

# Complete Range Details



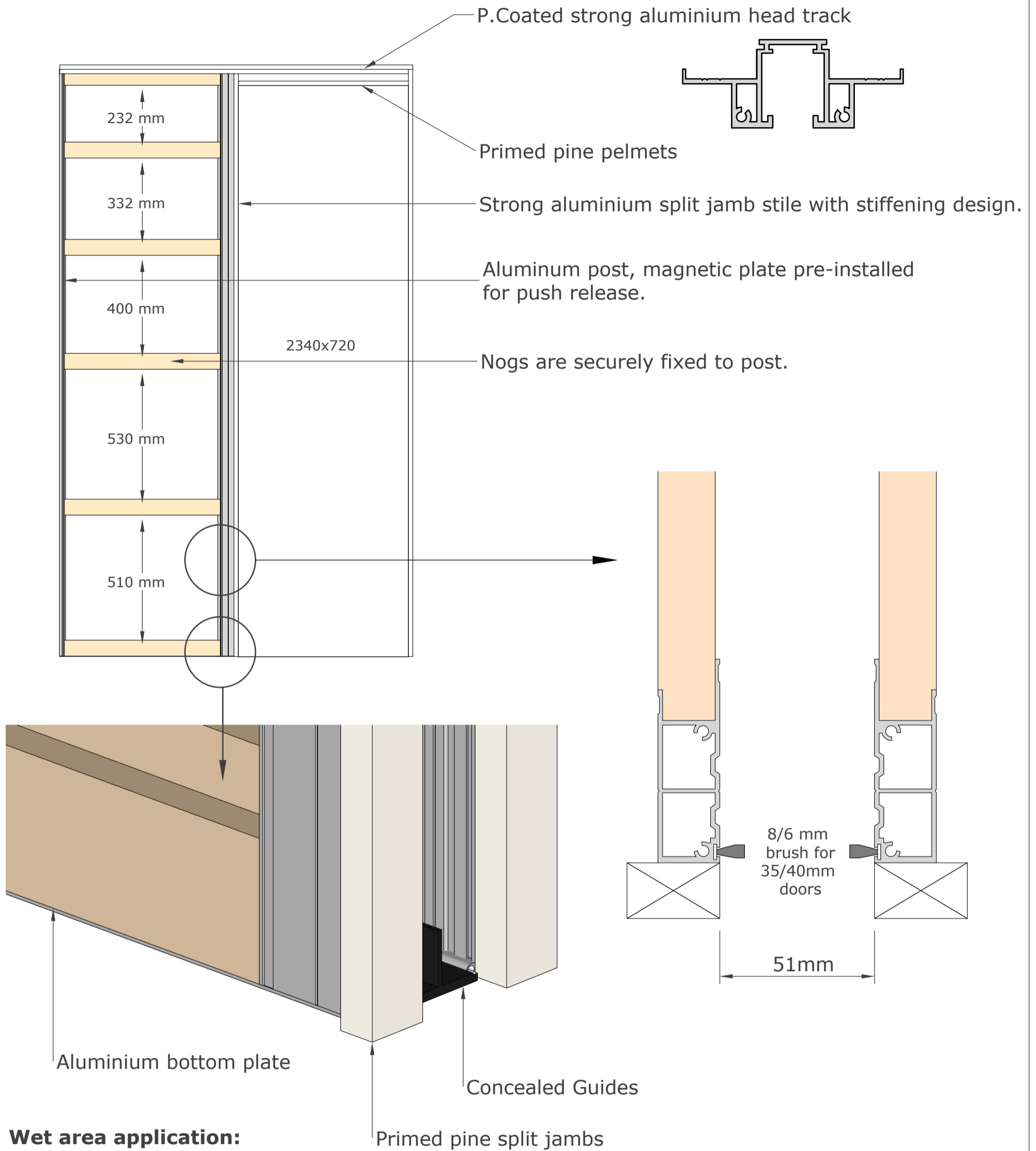
- One frame fits two, **Flush Pull & Flush Jamb** interchangeable.
- Includes **soft-close & soft-open** as standard.
- Push open release as option.

# COMPLETE PLUS RANGE



Type	Door Size
Complete Plus Range	2040x620
	2040x720
	2040x770
	2040x820
	2040x920
	2040x1020
	2340x620
	2340x720
	2340x770
	2340x820
	2340x920
	2340x1020
	2340x1200
	2340x1500
	Up to

# Complete Plus Range



## Wet area application:

8G Coarse thread self-tapping screws at 200mm centred. Screws must not penetrate the nogs.

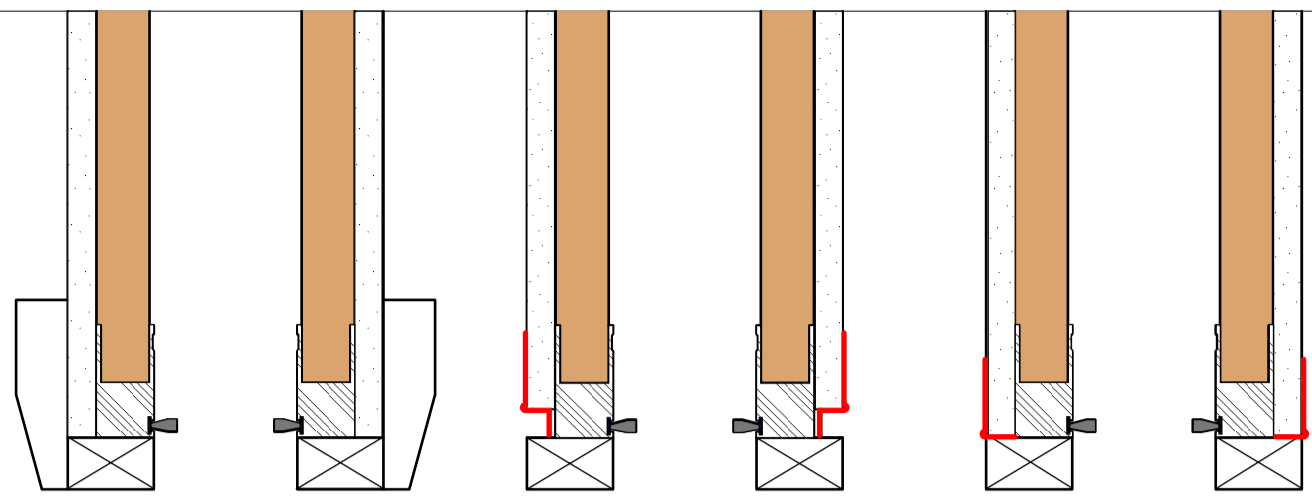
Approved material in accordance with AS/NZS 2908.2:

1. 6mm FC Sheets (Type A, Cat. 3) + 8mm Tiles
  2. 9mm FC Sheets (Type A, Cat. 3) + 10mm Tiles
- Incl. James Hardie Villaboard & CSR CeminSeal.  
For Max. 2400x1200 Cavity Units

- One frame fits two, **Flush Pull & Flush Jamb** interchangeable
- Flush pull includes **soft-close & soft-open**
- Flush Jamb includes **soft-close & soft-open** or **push open** release



# Jamb Finish

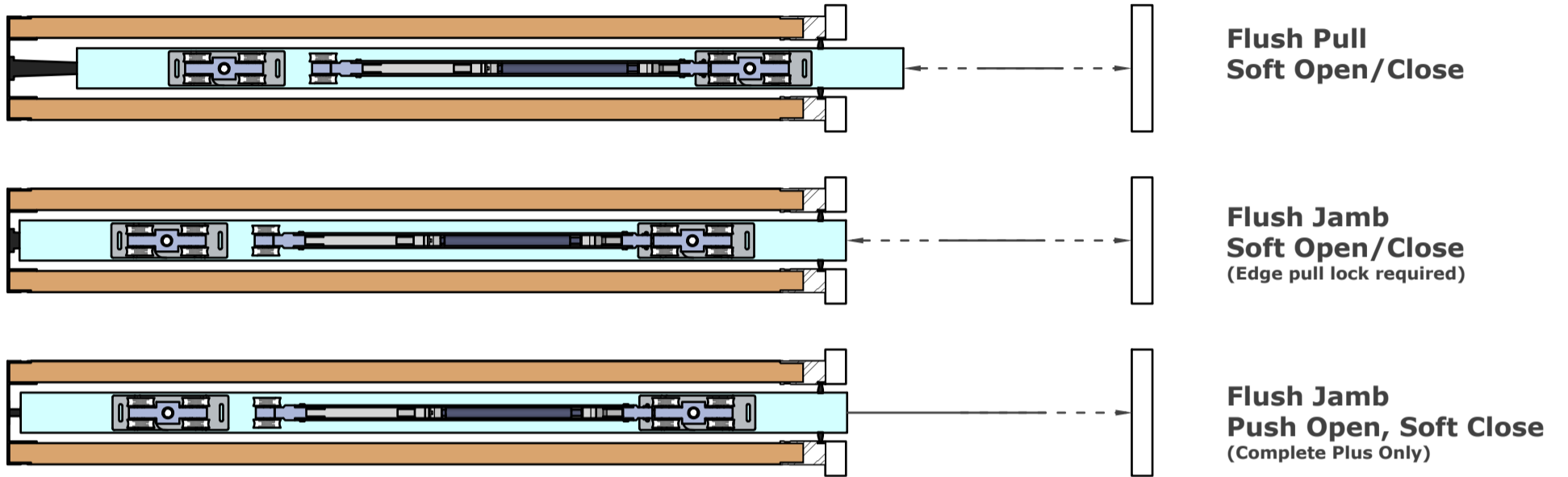


**Architrave**

**Shadowline**

**Square Set**

# Operation Options



**Flush Pull  
Soft Open/Close**

**Flush Jamb  
Soft Open/Close  
(Edge pull lock required)**

**Flush Jamb  
Push Open, Soft Close  
(Complete Plus Only)**

# ASSESSORIES

